

DS-2CE57H0T-VPITE(C) 5 MP Vandal-proof PoC Fixed Dome Camera



- High quality imaging with 5 MP, 2560 × 1944 resolution
- 2.8 mm and 3.6 mm fixed focal lens
- Up to 20 m IR distance for bright night imaging
- Water and dust resistant (IP67) and vandal resistant (IK10)



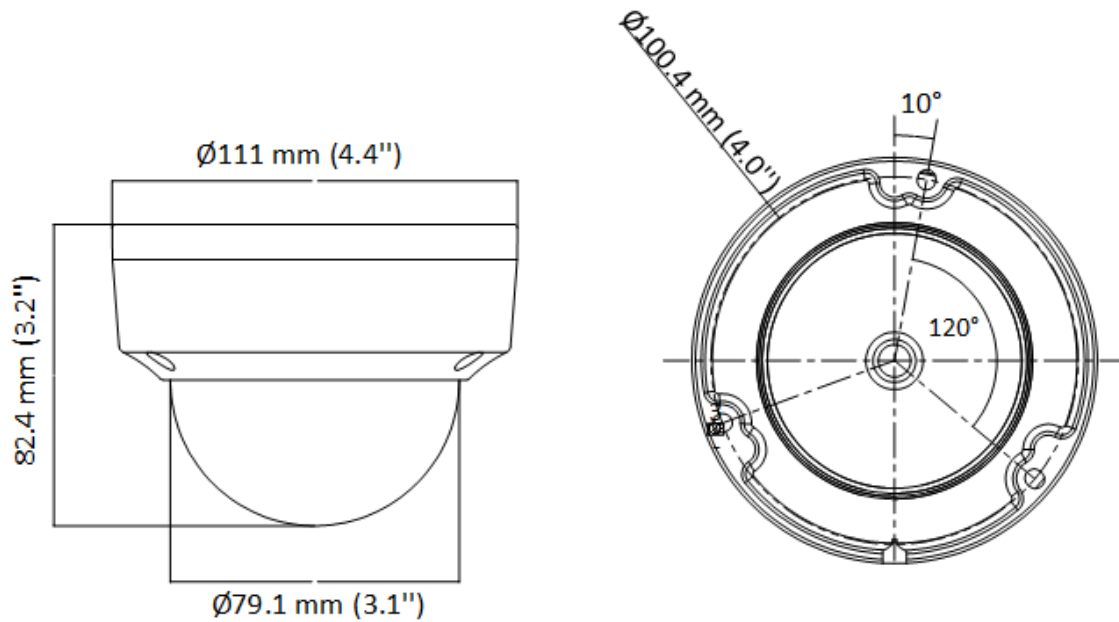
▪ Specification

| Camera | |
|--------------------------|---|
| Image Sensor | 5 MP CMOS |
| Max. Resolution | 2560 (H) × 1944 (V) |
| Min. Illumination | 0.01 Lux @ (F2.0, AGC ON), 0 Lux with IR |
| Shutter Time | PAL: 1/25 s to 1/50, 000 s NTSC: 1/30 s to 1/50, 000 s |
| Day & Night | ICR |
| Angle Adjustment | Pan: 0 to 355°, Tilt: 0 to 75°, Rotation 0 to 355° |
| Signal System | PAL/NTSC |
| Lens | |
| Lens Type | 2.8 mm and 3.6 mm fixed focal lens |
| Focal Length & FOV | 2.8 mm, horizontal FOV: 85°, vertical FOV: 63°, diagonal FOV: 110° 3.6 mm, horizontal FOV: 80°, vertical FOV: 63°, diagonal FOV: 105° |
| Lens Mount | M12 |
| Image | |
| Image Parameters Switch | STD/HIGH-SAT |
| Image Settings | Brightness, Sharpness, Smart IR |
| Frame Rate | 5 M @ 20 fps, 4 M @ 30 fps, 4 M @ 25 fps, 1080P @ 30 fps, 1080P @ 25 fps |
| Day/Night Mode | Auto/Color/BW (Black and White) |
| Wide Dynamic Range (WDR) | Digital WDR |
| Image Enhancement | DWDR, BLC, HLC, Global |
| Noise Reduction | 2D DNR |
| White Balance | Auto/Manual |
| AGC | Yes |
| Interface | |
| Video Output | 1 HD analog output |
| General | |
| Material | Metal |
| Dimension | 82.4 mm × Ø111 mm (3.2" × Ø4.4") |
| Weight | Approx. 440 g (0.97 lb.) |
| Operating Condition | -40 °C to 60 °C (-40 °F to 140 °F), humidity: 90% or less (non-condensation) |
| Communication | HIKVISION-C |
| Language | English |
| Power Supply | 12 VDC ±25%/PoC.af <i>*You are recommended to use one power adapter for one camera, and use 2-pin power supply for long-distance power supply.</i> |
| Consumption | Max. 2.6 W |
| IR Range | Up to 20 m |
| Approval | |
| Protection | IP67, IK10 |

▪ Available Model

DS-2CE57HOT-VPITE(C)

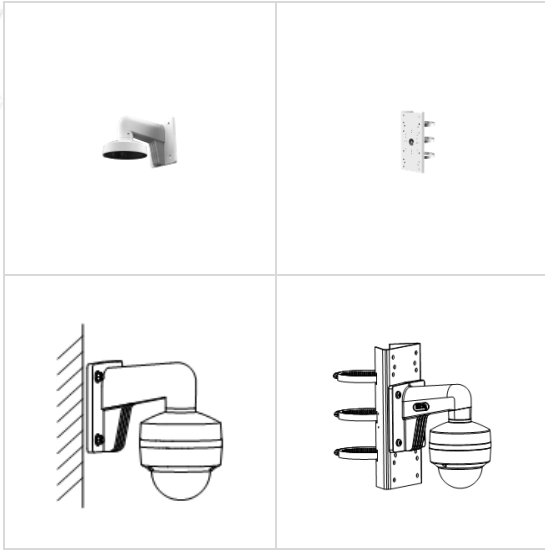
▪ **Dimension**



▪ **Accessory**

▪ **Optional**

| DS-1258ZJ Wall mount | DS-1271ZJ-110 Pendant Mount | DS-1280ZJ-DM18 Junction box | DS-1272ZJ-110B Wall mount | DS-1259ZJ Inclined ceiling mount |
|-----------------------------|---|--------------------------------|------------------------------|--|
| | | | | |
| | | | | |
| DS-1272ZJ-110 Wall mount | DS-1275ZJ-SUS Vertical pole mount | | | |



Distributed by

**HIKVISION®****Headquarters**

No.555 Qianmo Road, Binjiang District,
Hangzhou 310051, China
T +86-571-8807-5998
overseasbusiness@hikvision.com

Hikvision USA
T +1-909-895-0400
sales.usa@hikvision.com

Hikvision Australia
T +61-2-8599-4233
salesau@hikvision.com

Hikvision India
T +91-22-28469900
sales@pramahikvision.com

Hikvision Canada
T +1-866-200-6690
sales.canada@hikvision.com

Hikvision Thailand
T +662-275-9949
sales.thailand@hikvision.com

Hikvision Europe
T +31-23-5542770
sales.eu@hikvision.com

Hikvision Italy
T +39-0438-6902
info.it@hikvision.com

Hikvision Brazil
T +55 11 3318-0050
Latam.support@hikvision.com

Hikvision Turkey
T +90 (216)521 7070- 7074
sales.tr@hikvision.com

Hikvision Malaysia
T +601-7652-2413
sales.my@hikvision.com

Hikvision UK & Ireland
T +01628-902140
sales.uk@hikvision.com

Hikvision South Africa
Tel: +27 (10) 0351172
sale.africa@hikvision.com

Hikvision France
T +33(0)1-85-330-450
info.fr@hikvision.com

Hikvision Kazakhstan
T +7-727-9730667
nikia.panfilov@hikvision.ru

Hikvision Vietnam
T +84-974270888
sales.vt@hikvision.com

Hikvision UAE
T +971-4-4432090
salesme@hikvision.com

Hikvision Singapore
T +65-6684-4718
sg@hikvision.com

Hikvision Spain
T +34-91-737-16-55
info.es@hikvision.com

Hikvision Tashkent
T +99-87-1238-9438
uzb@hikvision.ru

Hikvision Hong Kong
T +852-2151-1761
info.hk@hikvision.com

Hikvision Russia
T +7-495-669-67-99
saleru@hikvision.com

Hikvision Korea
T +82-[0]31-731-8817
sales.korea@hikvision.com

Hikvision Poland
T +48-22-460-01-50
info.pl@hikvision.com

Hikvision Indonesia
T +62-21-2933759
Sales.Indonesia@hikvision.com

Hikvision Colombia
sales.colombia@hikvision.com